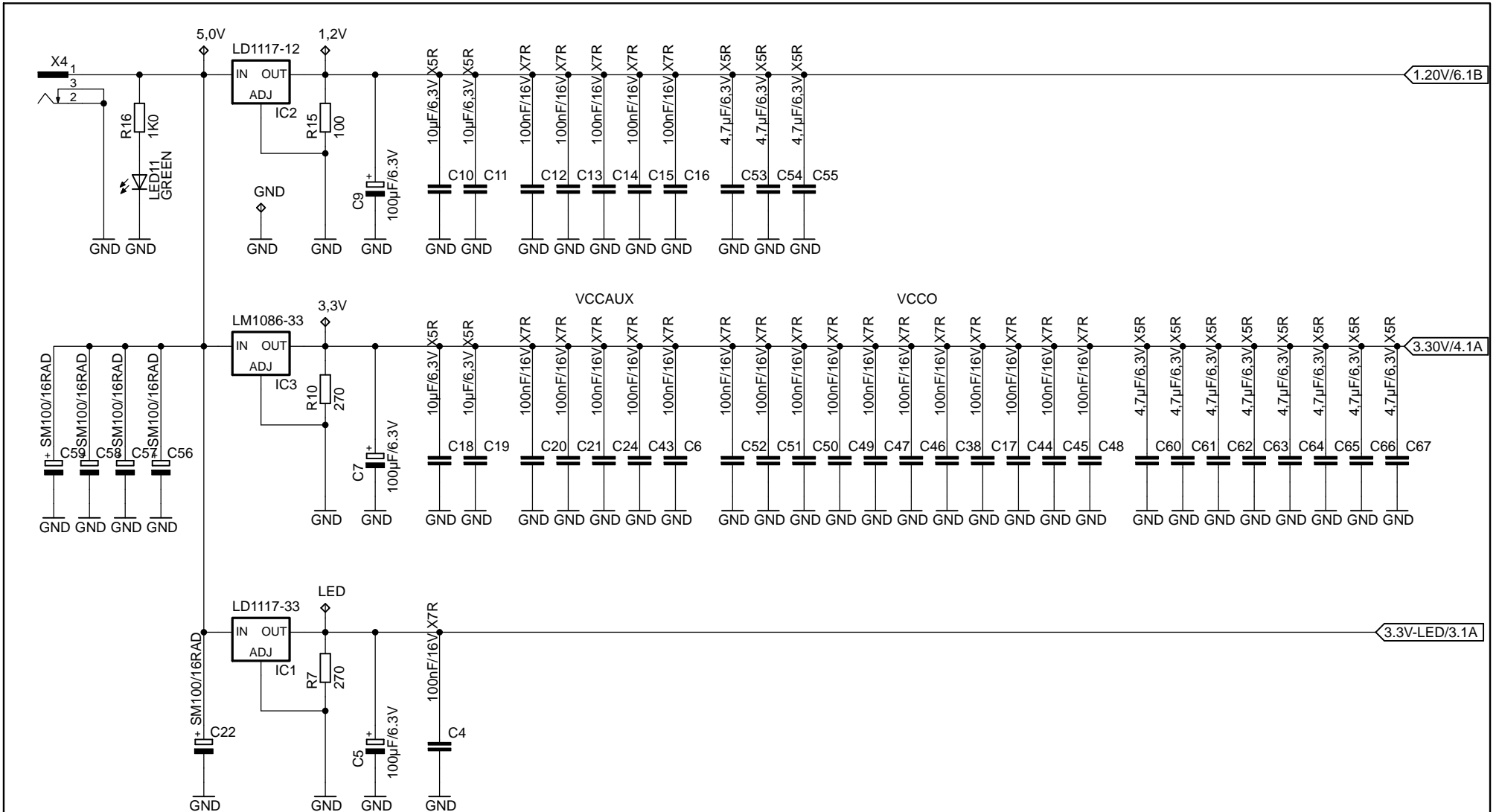


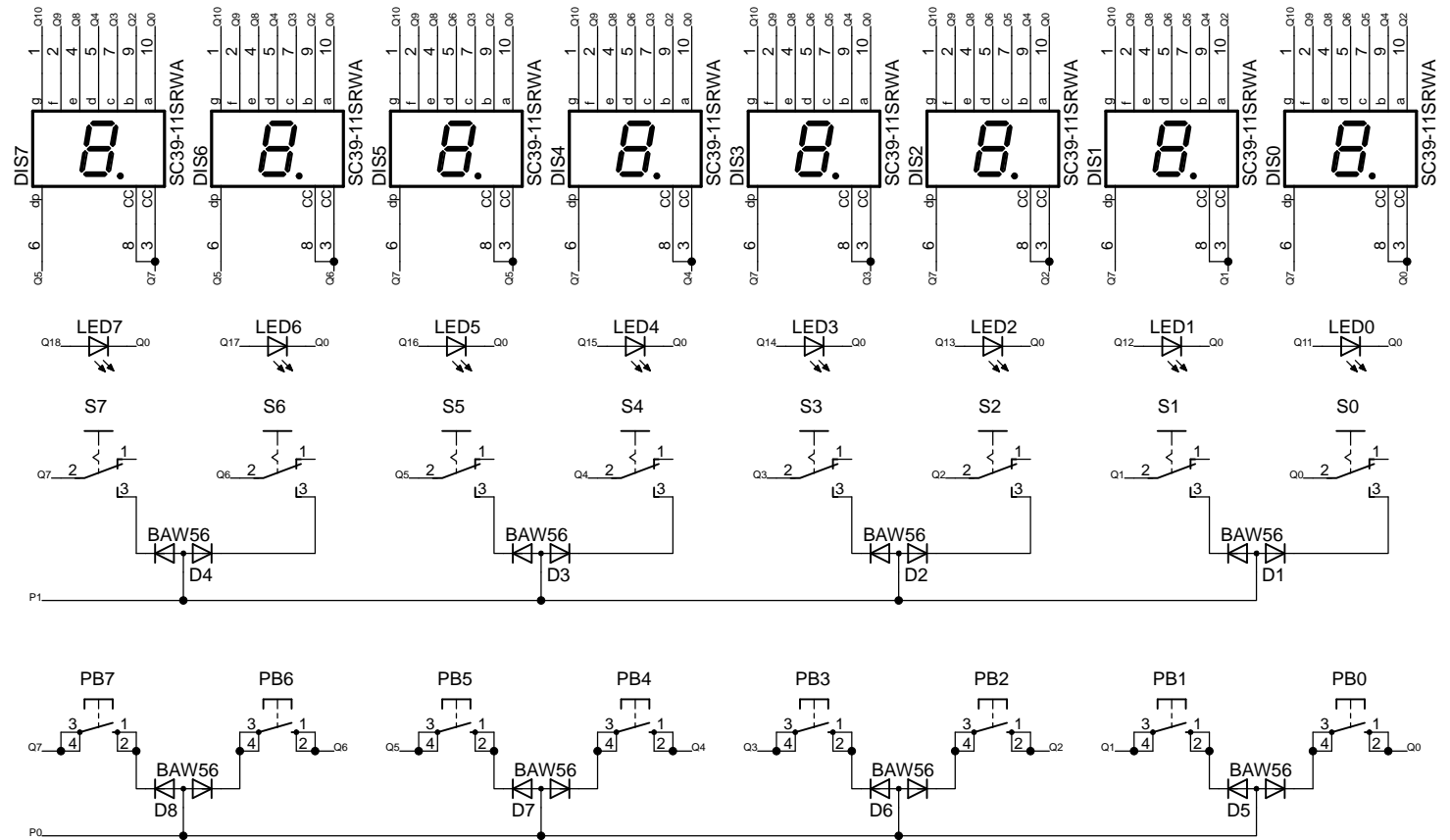
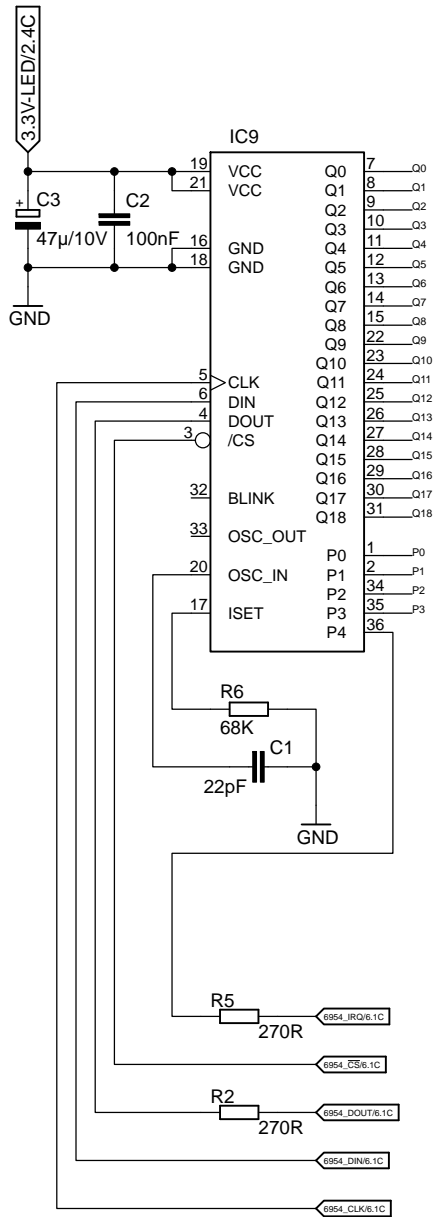
Project FPGA68k

Version: 1.0
(c) 2013 by T. Tahsin-Bey
commercial use prohibited!

TITLE: Project FPGA68k	
Document Number:	REU:
Date: 26.01.2013 17:23:06	Sheet: 1/7

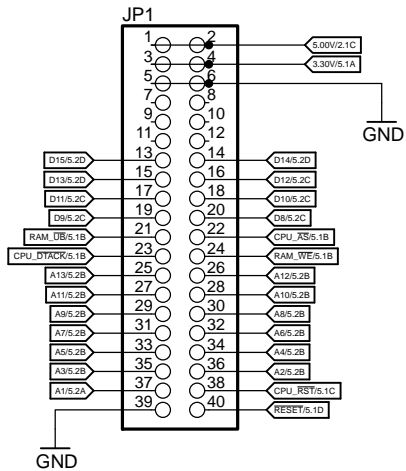


Power Regulation	
TITLE: Project FPGA68k	
Document Number:	REU:
Date: 26.01.2013 17:23:06	Sheet: 2/7

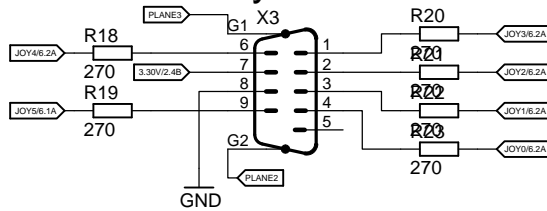


User Interface	
TITLE: Project FPGA68k	
Document Number:	REU:
Date: 26.01.2013 17:23:06	Sheet: 3/7

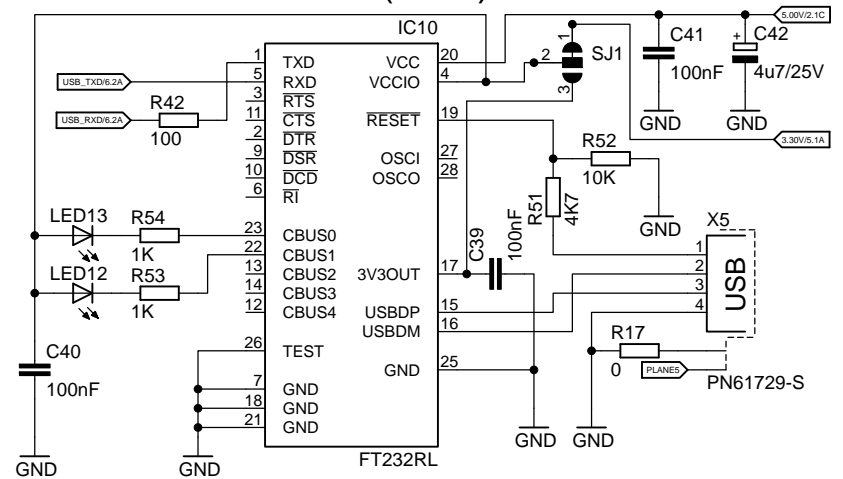
CPU Extension



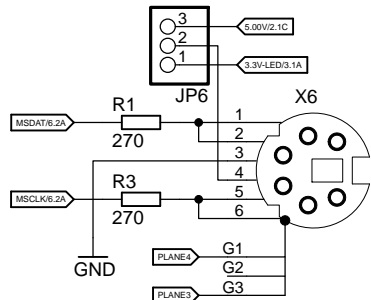
Joystick



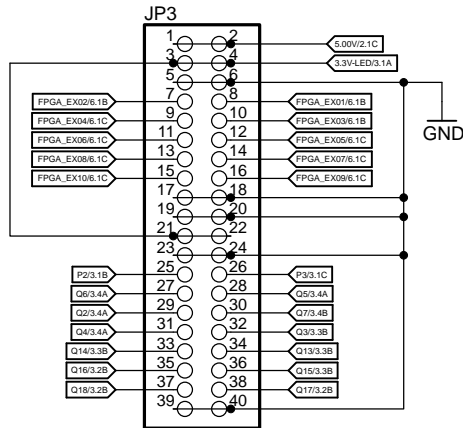
Serial (USB)



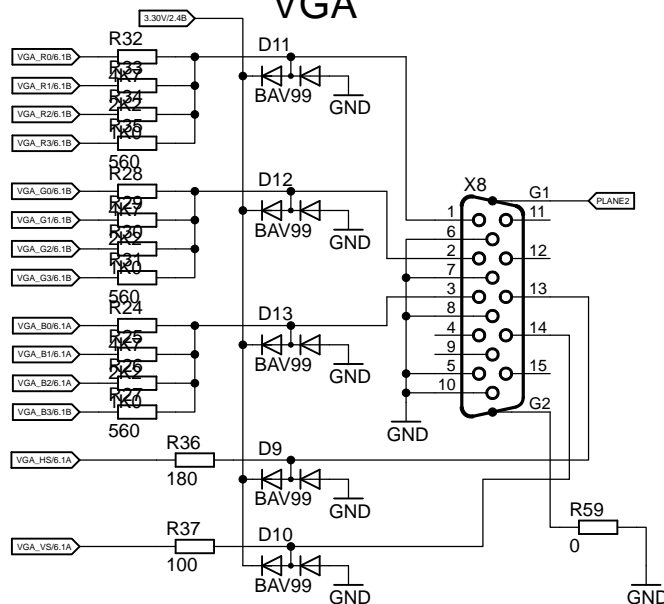
Keyboard / Mouse (PS/2)



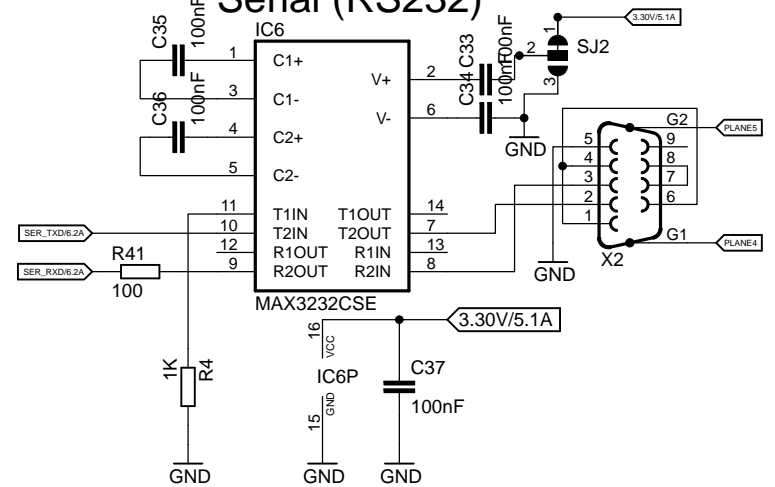
FPGA Extension



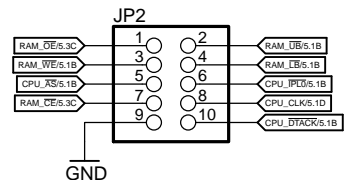
VGA



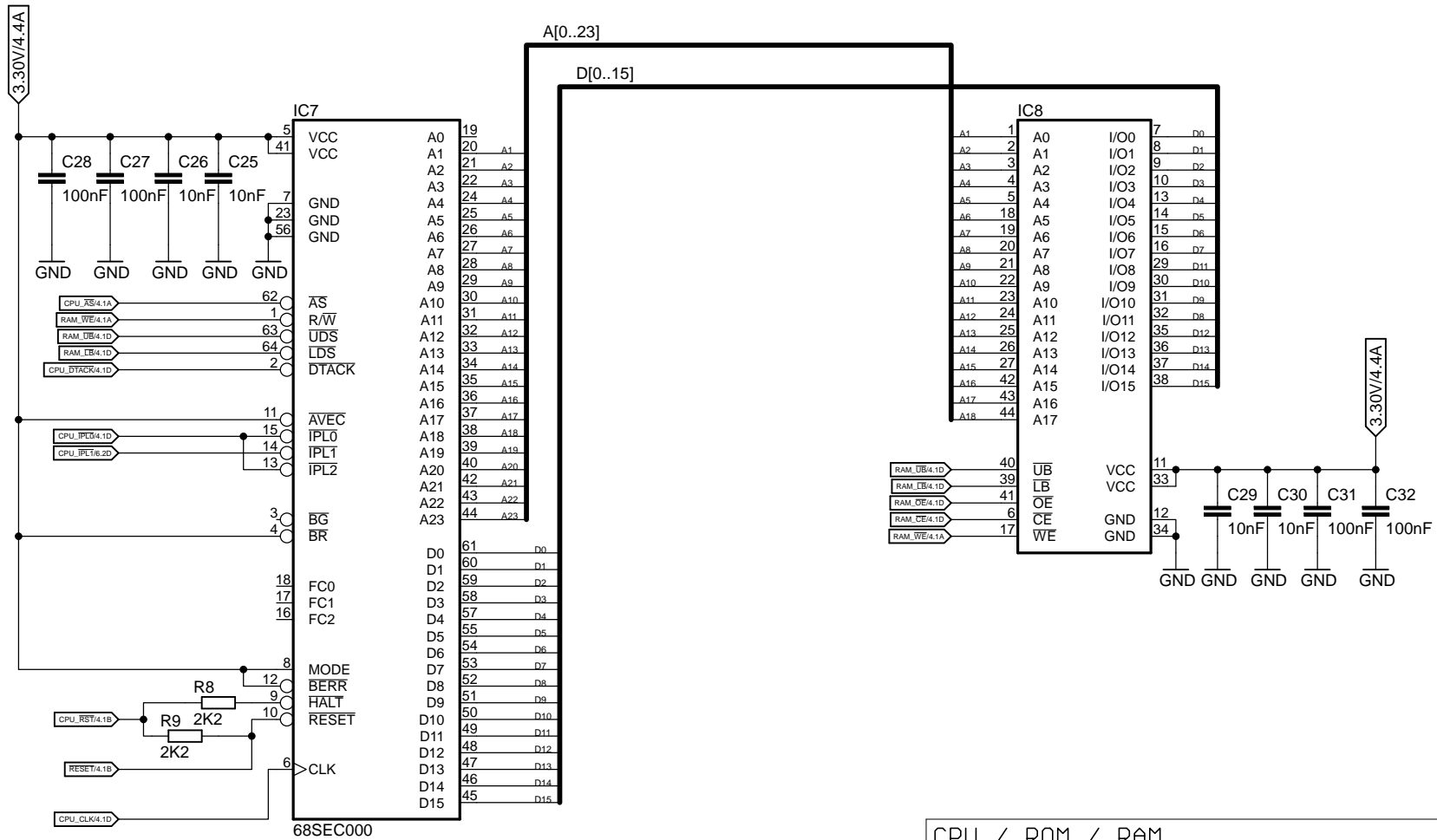
Serial (RS232)



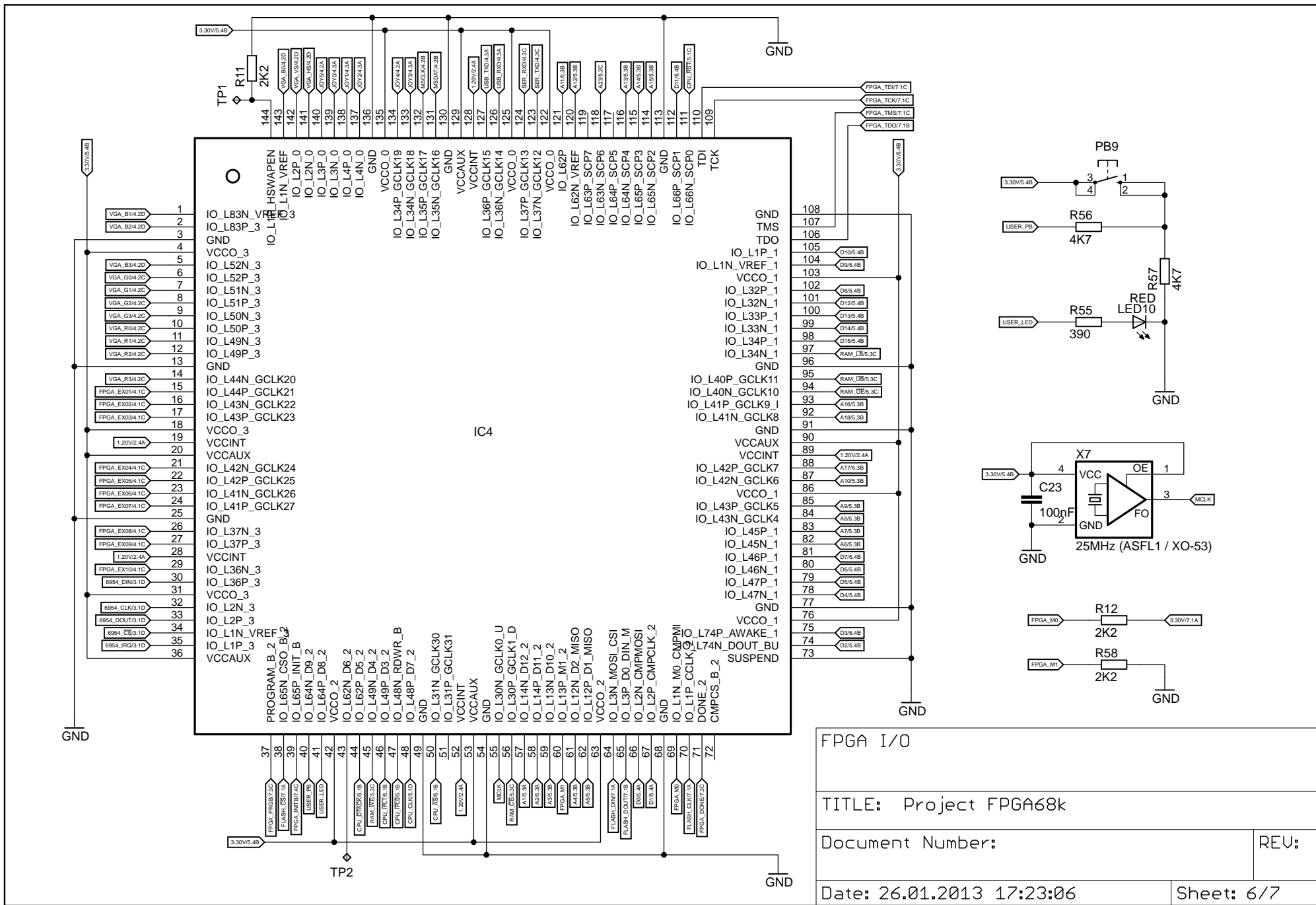
Test RAM & CPU



External Connections	
TITLE: Project FPGA68k	
Document Number:	REU:
Date: 26.01.2013 17:23:06	Sheet: 4/7

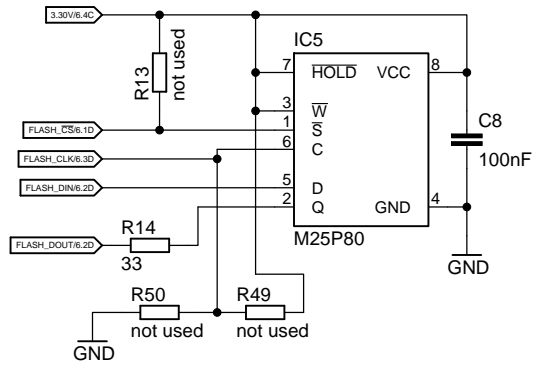


CPU / ROM / RAM	
TITLE: Project FPGA68k	
Document Number:	REU:
Date: 26.01.2013 17:23:06	Sheet: 5/7

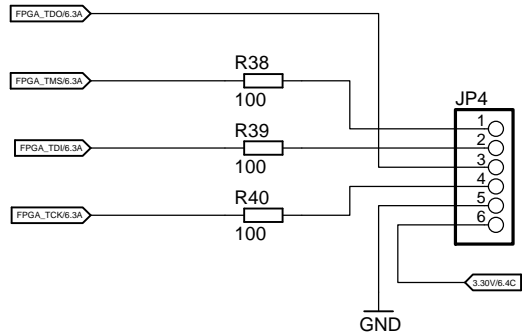


FPGA I/O	
TITLE: Project FPGA68k	
Document Number:	REU:
Date: 26.01.2013 17:23:06	Sheet: 6/7

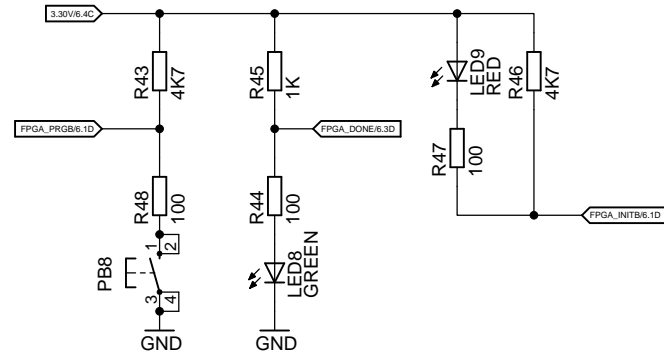
SPI-Flash



JTAG



FPGA-Status



H2 MOUNT-HOLE3.0
H1 MOUNT-HOLE3.0

H4 MOUNT-HOLE3.0
H3 MOUNT-HOLE3.0

H6 MOUNT-HOLE3.0
H5 MOUNT-HOLE3.0

FPGA Config / JTAG	
TITLE: Project FPGA68k	
Document Number:	REU:
Date: 26.01.2013 17:23:06	Sheet: 7/7